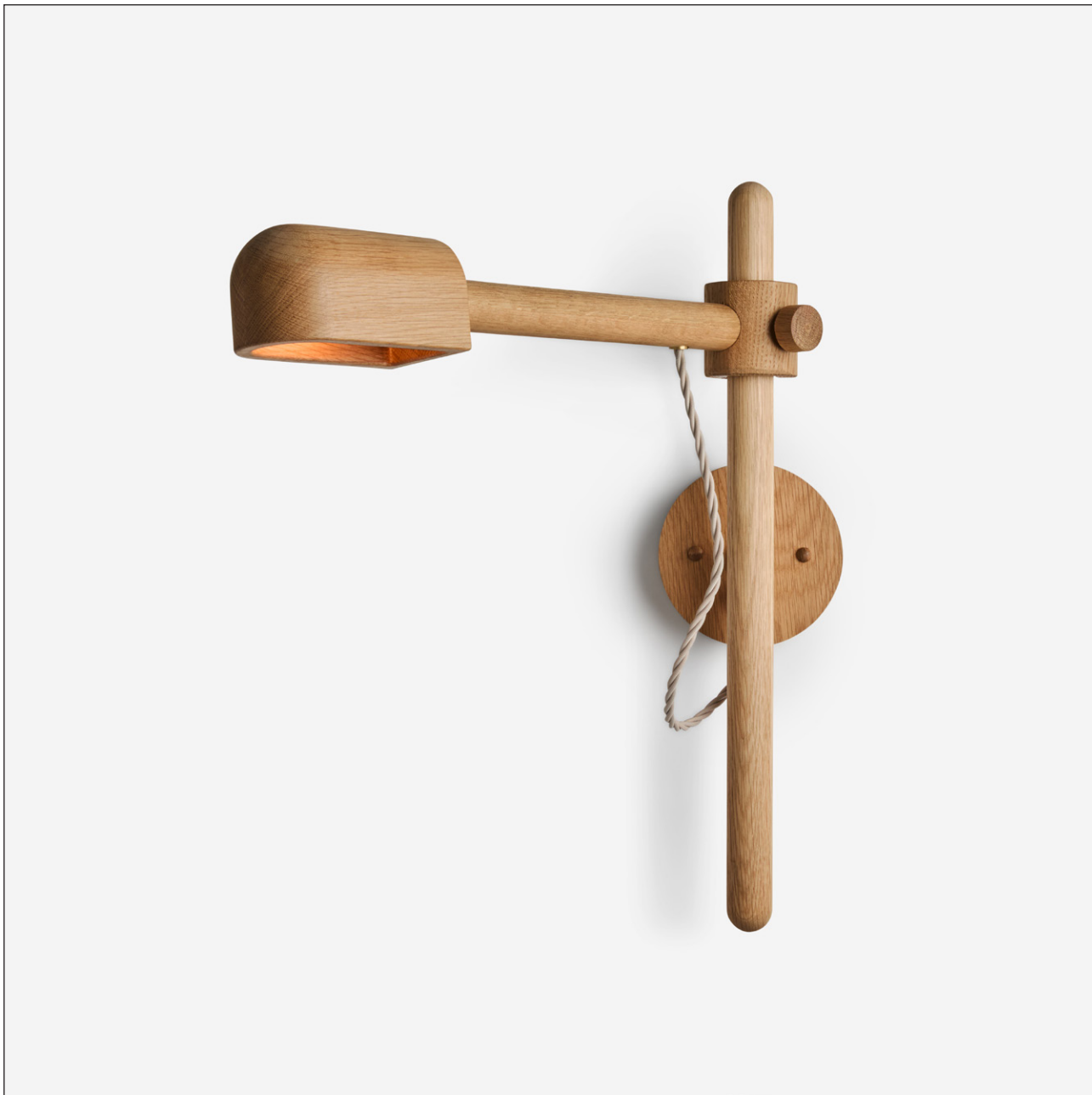


# WORKSTEAD

## INSTALLATION INSTRUCTIONS | LODGE PIVOT SCONCE



### GENERAL NOTES

This luminaire is UL, cUL, and CE listed for installation in dry or damp locations.

When installing luminaire, conform to all applicable local electrical codes, ordinances, and the National Electrical Code (NEC).

For your safety and proper operation of luminaire, read and understand all instructions completely before commencing installation of this luminaire.

Carefully unpack the luminaire and inspect for damage.

Use the enclosed gloves when handling the luminaire.

This product is rated for one (1) 5W max E26 G16 LED bulb (or E27 G50 LED bulb, depending on your location). **BULBS MUST BE LED ONLY. NO INCANDESCENT BULBS SHOULD BE USED.**

Save these instructions for future reference.

### CAUTION

This product should be installed only by a licensed electrician.

### WARNING

The electricity must be turned off at the main fuse box before installing this luminaire. Turning power off using the light switch may not be sufficient to prevent electrical shock.

Use UL listed wire nuts for all wiring connections in this luminaire. Wrap wire nut connections with UL listed electrical tape.

### INCLUDED COMPONENTS FOR INSTALLATION

---



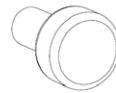
(1) luminaire body

---



(1) mounting plate

---



(1) knob

---



(1) E26/E27 LED bulb

---



(2) wood plugs

---



(4) 1-1/2" #8 x 32 machine screws

---



(3) wire nuts

---

### ASSEMBLY AND MOUNTING INSTRUCTIONS

#### STEP 1 | CUT POWER

Shut off the main electrical supply to the junction box from the fuse box/circuit breaker. Turning power off at the switch is not sufficient.

#### STEP 2 | ATTACH MOUNTING PLATE

Locate the junction box in the wall. Attach the mounting plate to the junction box using (2) 1-1/2" #8 machine screws provided. (Fig. 1)

#### STEP 3 | ATTACH ARM

Carefully slide the horizontal arm over the vertical arm and secure at desired height using provided knob. (Fig. 2) Ensure that the cord does not become knotted or twisted.

#### STEP 4 | CONNECT WIRES

Using the wire nuts provided, make electrical connections by following the electrical configuration table. (Fig. 3) Ensure that all electrical connections are wrapped with UL listed electrical tape.

#### STEP 5 | SECURE BACKPLATE

Carefully tuck the wiring into the junction box. Carefully align the two holes in the backplate of the luminaire body with the tapped holes in the mounting plate. Secure the backplate to the mounting plate using (2) 1-1/2" #8 machine screws provided. (Fig. 4 on page 4)

#### STEP 6 | INSTALL BULB

Install the bulb provided. Return power to the luminaire to confirm proper function. If further work is needed, be sure to turn off power to luminaire before proceeding. Once proper function is confirmed, install wood plugs provided into holes in backplate.

NOTE: Install wood plugs only partially so that future removal is possible.

Fig. 1

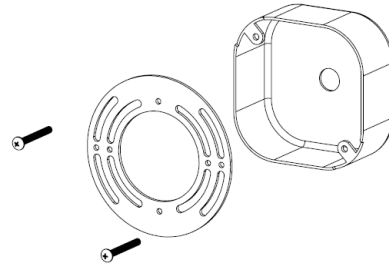


Fig. 2

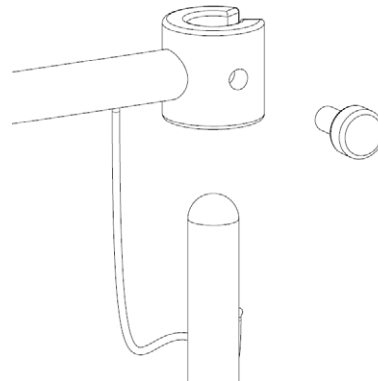


Fig. 3

FROM SUPPLY	TO LUMINAIRE
Connect black or red (hot) house supply circuit wire to:	Luminaire black wire (hot)
Connect white (neutral) house supply circuit wire to:	Luminaire white wire (neutral)
Connect green insulated or bare copper (ground) house supply circuit wire to:	Luminaire bare copper wire (ground)

Fig. 4

---

